

## LARGE PARCEL & FREIGHT X-RAY IMAGING SYSTEM

# XRC 85-85DV



The **XRC 85-85** x-ray machine facilitates the placement of heavy objects into the device with the help of **low conveyor unit**. It simplified the operators use thanks to the various image processing functions, hazard alarm, advanced computer technology and the best in class software. It makes it extraordinarily easy to scan threats such as cutting tools, explosive narcotics and reduces the rate of error.

It provides unique image quality by showing the scanned organic, inorganic and mixed items in different colors thanks to its multi-diode structure and quality in imaging of scanned objects. It is designed with the latest technology system to scan medium and large bags and packages.

This model x-ray device offers the ideal solution for locations where security screening is required like at high traffic checkpoints as city transportation (metro, ferry, train stations), customs border crossings, prisons, and courier depots, such as international logistics companies, goods acceptance points and etc.

# TECHNICAL DATA XRC 85-85DV

## PHYSICAL PROPERTIES

Tunnel Size	: 865 mm x 865 mm
(W x H)	: 34,06 in x 34,06 in
Dimensions	: 3380 mm x 1730 mm x 1675 mm
(L x H x W)	: 113,07 in x 67,11 in x 65,95 in
Approx. Weight Unpacked	: ~1150 kg ( 2535 lbs.)
Conveyor Height	: 335mm (13,19 in)
Conveyor Load Capacity	: 200 kg (441 lbs.) Evenly Distributed
System Power	: 110/220V AC ± 10% 50/60 Hz, 12A/6A.
Conveyor Speed	: 0,20 m/sec. Forward or Reverse

## X-RAY GENERATOR & IMAGE PERFORMANCE

Steel Penetration <sup>1</sup>	: 37 mm guaranteed; 39 mm typical
Wire Resolution <sup>1</sup>	: 36 AWG guaranteed; 38 AWG typical
Anode Voltage	: 180kV, operating at 160kV
Tube Current	: 1,0 mA
Beam Direction	: 1st Generator - Vertically downward 2nd Generator - Horizontally sideward
Article Separation	: Low Z, Medium Z, High Z to 0,5 Z Accuracy Organic, InOrganic, Metallic
Cooling	: Oil and forced air cooling

## COMPUTER SPECIFICATIONS

Processor	: Intel® Core™ i5 (or superior)
Monitor	: Dual 21,5" Flat LCD (or superior)
Memory	: 4 GB RAM (or superior)
Video Card	: 2 GB (or superior)
Hard Drive	: 1 TB (or superior)
USB Port	: 6 port (or superior)
Operating System	: Linux

## OPERATING ENVIRONMENT

Storage / Operating Temperature	: -20°C to 50°C / 0°C to 40°C (-4°F to 122°F / 32°F to 104°F)
Relative Humidity	: 0% to 95% non-condensing
Duty Cycle	: 100% (24 Hours), No warm-up required

## OPTIONAL FEATURES

Barcode Reader System
External Camera Archiving
Remote Viewing Station
Recheck Station
Network Supervisory System (NSS)
Remote Access Connection
Smart Card Login

## OPTIONAL ACCESSORIES

External UPS (For system)
Operator Console (Open-Closed/Adjustable/I-sta)
21,5"- 27" Flat Monitor
Input / Output Rollers
Test Kit (STP/ASTM)
Protective Cover
Search Table
Tray Return System (Motorized/Gravity)
Inclined Conveyor
Ultrasonic Rat Repellent
Radiation Meter

## HEALTH AND SAFETY

All X-Ray Center Ltd products meet all applicable international health and safety regulations.

Safety Interlock Switches: To protect against radiation hazards In case of opening the sensitive lids of the machine, there are Safety Interlock Switches to prevent radiation leakage.

Made of strong materials and durable to scratch and rust.

US FDA Federal Standard 21CFR 1020.40

Health and Safety at Work Act 1974-compliant 6 : Available

Film Safety	: ISO 1600 / 33 DIN
CE Compliance	: Certified
FCC & IEC Compatibility	: Available
IP 20 Safety	: Certified

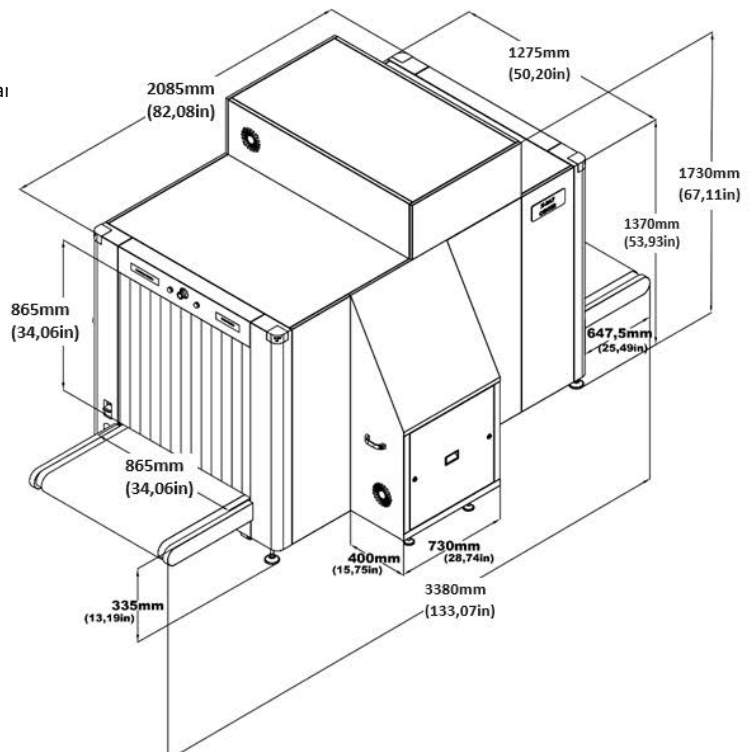
Maximum level of radiation the exterior panels come in contact with is 0.1 mR/hour

## STANDARD IMAGE PROCESSING FEATURES

Perfect View (Detail Enhancement) (PV)
Edge Enhancement (EE)
Pseudo Color (PS)
Organic Materials (OM)
Inorganic Materials (IM)
Black & White (B/W)
Inverse Colors (IN)
High Penetration (HP)
Variable Edge Enhancement (+E -E)
Variable Density (+D -D)
Variable Gamma (+G -G)
Variable Color Separation (+C -C)
Zoom (64x)
Sniper Zoom
Recall Previous Images
Manual/Automatic Archive
Annotated Archive
Multi Energy Viewer (4 - 6 Color)
Atomic Number Display (Z Value)

## STANDARD FEATURES

Programmable Function Keys
Parcel Counter
Date and Time Display
Virtual Threat Image Projection (TIP)
Organic/Inorganic Threat Alarm
Operator Training Program (OTP)
UPS (For Computer Supply)
Multi Languages
Self Diagnosis
Generator Timer
Automatic Stop Conveyor
Bi-Directional Scanning
Emergency Stop Buttons



<sup>1</sup>As tested on X-Ray Center Ltd. test piece. Conveyor speed is 0.20 m/sec.

